



Solving your relay requirements since 1922

Amperite Co.

(800) 752-2329  
www.Amperite.com

## D Series Flasher

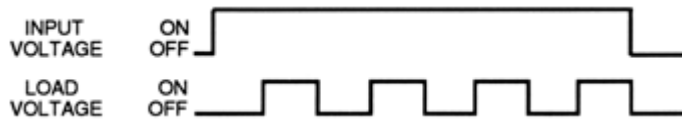


- ... Solid state analog flasher circuitry
- ... No moving parts to wear out
- ... 2A load rating
- ... Low cost
- ... Small size
- ... AC or DC units available
- ... 3 terminal configuration
- ... No current leakage to load
- ... UL File #E96739 (M)
- ... CSA File #LR62586

### Timing Mode:

On/off recycling solid state flasher. The flash rates are fixed and are available from 2 to 1000 flashes per minute (FPM). Duty cycle is approximately 50% with custom duty cycles available.

### Timing Diagram:



### Output Circuit:

AC units - triac; DC units - transistor

Rating (Resistive): 2A @ 110 - 120V AC or DC; (Inrush): 10A maximum

Expected Life @ 25°C: Solid state circuitry - no moving parts to wear out.

### Environmental Information:

Temperature Range: Operating & storage: -23°C to +60°C, (-10°F to +140°F)

### Mechanical Information:

Termination: .110 inch (standard), .250 inch (optional), screw terminals (optional), or 18" wires (optional)

Enclosure: Black plastic case

Mounting: Single screw or optional 2-screw panel mount

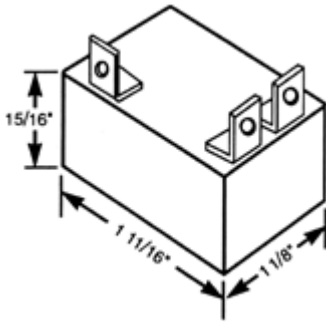
Weight: 0.8 oz (239) approx.



Solving your relay requirements since 1922

Amperite Co.

(800) 752-2329  
www.Amperite.com



**Timing Specifications:**

Flash Rate - Fixed: Standard - 30, 45, 60, 75, 90 & 120 FPM. **Custom rates available from 2 to 1000 FPM.**

Flash Rate Tolerance:  $\pm 10\%$

**Input Information:**

Voltage: AC units - 6V, 12V, 24V, 48V and 115V; DC units - 6V, 12V, 24V, 48V and 110V. **Other voltages are available.**

Power Requirement: AC units: 3 VA or less; DC units: 3 Watts or less

**Input Voltages & Limits:**

| Nominal | Minimum | Maximum |
|---------|---------|---------|
| 6V AC   | 5.4V    | 6.6V    |
| 12V AC  | 10V     | 14V     |
| 24V AC  | 20V     | 28V     |
| 48V AC  | 41V     | 55V     |
| 115V AC | 105V    | 130V    |
| 6V DC   | 5.4V    | 6.6V    |
| 12V DC  | 11V     | 14V     |
| 24V DC  | 20V     | 28V     |
| 48V DC  | 41V     | 55V     |
| 110V DC | 95V     | 125V    |

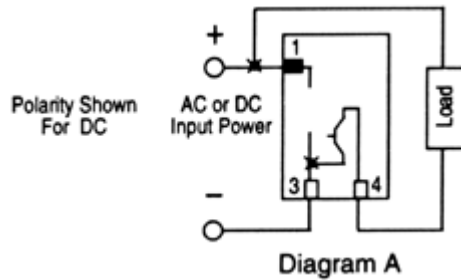


Solving your relay requirements since 1922

Amperite Co.

(800) 752-2329  
www.Amperite.com

### Wiring Diagram:



### Ordering Information:

Definition of a part number for the Amperite D Series Flasher.

Example:

**A:** Denotes nominal input voltage. Voltages available: 6, 12, 24, 48 & 115V AC; 6, 12, 24, 48 & 110V DC. Custom voltages are available.

**B:** Denotes type of input current required for operation: A = AC - Alternating Current; D = DC - Direct Current

**C:** Denotes flasher configuration.

**D:** Denotes flash rate. Standard rates are 30, 45, 60, 75, 90 & 120 FPM. Custom rates are available from 2 to 1000 FPM.

**E:** Denotes current options - Blank = Standard, H = Higher Operating Current.

**F:** Denotes form of termination - Blank = .110 male electro-plate solder terminals (standard), X = .250 male quick connect terminals (optional), S = screw terminals (optional), W = three 18" wires (optional).

**G:** Denotes use of solid state analog circuitry of D Series.



Solving Your Relay Requirements Since 1922